

TwistIIClean Inline Screen Filters

For Sand, Sediment, Scale, and Light Organics

T2C

Exclusive reverse-flush technology for improved filter cleaning without disassembly or system interruptions. Longer operating cycles. Lower pressure loss.



More Screen Mesh Open Area

TwistIIClean Filters boast twice the open area for greater flow and dirt-handling capacity. Longer operation and less cleaning.

Stainless Steel Screens

Stronger and more durable than common nylon screens for much longer life.

Superior Body Materials

Glass-filled polypropylene gives maximum strength and UV-resistance to degradation, cracking and failure. Clear bowl is acrylic for easy visual inspection to know when cleaning is necessary. Optional SunShield is black stretch-neoprene, provides protection of the screen from algae growth. Top seal is EPDM rubber. Bottom seal at flush port is Viton.

Built-in Tabs for Easy Installation

No need for complicated bracketing. A pair of simple stand-offs and lag bolts (not provided) is all it takes for a secure installation.



The following models are NSF certified as "low lead":

T2C-075-30	T2C-100-30	T2C-150-30
T2C-075-60	T2C-100-60	T2C-150-60
T2C-075-100	T2C-100-100	T2C-150-100
T2C-075-140	T2C-100-140	T2C-150-140



Flow Range:
Up to 150 gpm (34 m³/hr)

Maximum Pressure Rating:
100 psi (6.9 bar)

Four Model Sizes: From 3/4-inch to 2-inch inlet/outlet. Inlets/Outlets for 3/4" – 1-1/2" models are NPT male threads; 2" model is flanged.



TwistIIClean High Flow: 2-inch model specifically designed for heavier residential flow or as an accessory to an industrial separator. See back cover for details.

**Residential Water Wells • Landscape Irrigation • Whole-House Protection
Pre-Filters Water Treatment • Any Pressurized Water System**

Patented Reverse Flushing Action

LAKOS SunShield*



Optional SunShield protects acrylic bowl from discoloring and the internal screen from excessive algae growth when the TwistIIClean Filter is installed in a sunny location.

Easily slides on for installation. Easily slides down for inspecting the screen.

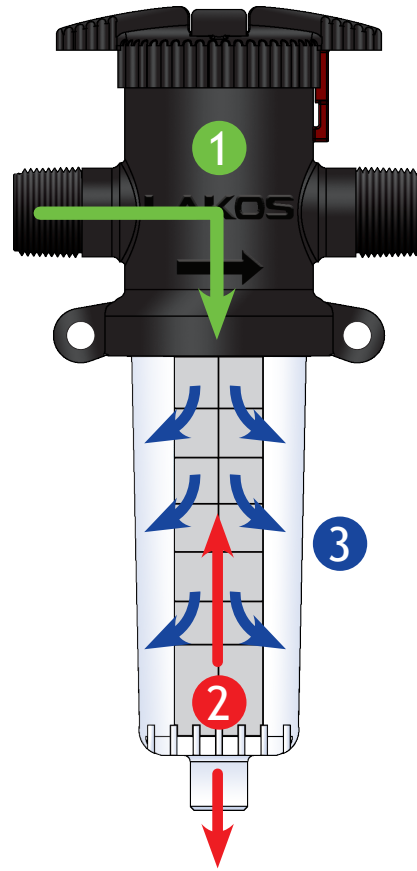
**SunShield included with 2-inch model (T2C-200). Available as option for other models for use when installed in sunny locations.*



The Easy and Economical Solution for Clean Water

“Once again, LAKOS has come up with a functional and easy-to-use product. From a company that always listens and responds to its customers, I would expect nothing less.”


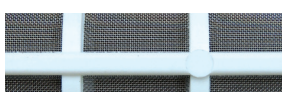


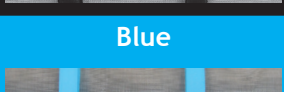
-Ron Taylor, Homeowner
Auberry, CA



With a 1/4 turn of the handle:

- 1 Flow direction through the filter element is changed to inside-out.
- 2 The filter element is lifted to open the bottom flush port.
- 3 An inside-out backwash occurs, and the filter element is thoroughly cleaned.

TwistIIClean Screen Element Options

Color of Element	Screen Mesh Size	Common Applications
Brown 	30 Mesh 600 Microns	Removal of large particle matter. Pre-filtering ahead of other filters or devices. Large orifice impact sprinklers.
White 	60 Mesh 250 Microns	Typical landscape sprinklers. Pre-filter to fine cartridge filters.
Gray 	100 Mesh 150 Microns	Most popular size. Used for residential systems and pre-filtering before water treatment systems.
Black 	140 Mesh 105 Microns	Drip Irrigation, micro-sprays, spray nozzles, misting systems.
Blue 	200 Mesh 74 Microns	Greatest protection. Often used on water treatment systems.

General Specifications

TwistII Clean Model Details

Model	Max Flow Rate		Inlet/Outlet Size	Effective Screen Surface Area		Screen Flush Size
	U.S. gpm	m ³ /hr		in ²	cm ²	
T2C-075	25	5.5	3/4 in. male NPT	12.02	77.5	1/2 in.
T2C-100	39	8.9	1 in. male NPT	12.02	77.5	3/4 in.
T2C-150	78	17.7	1-1/2 in. male NPT	24.79	159.9	3/4 in.
T2C-200	150	34.0	2 in. flanged	55.5	358.1	3/4 in.

Maximum Pressure: 100 psi (6.9 bar)

Maximum Temperature: 120°F (49°C)

Materials of Construction:

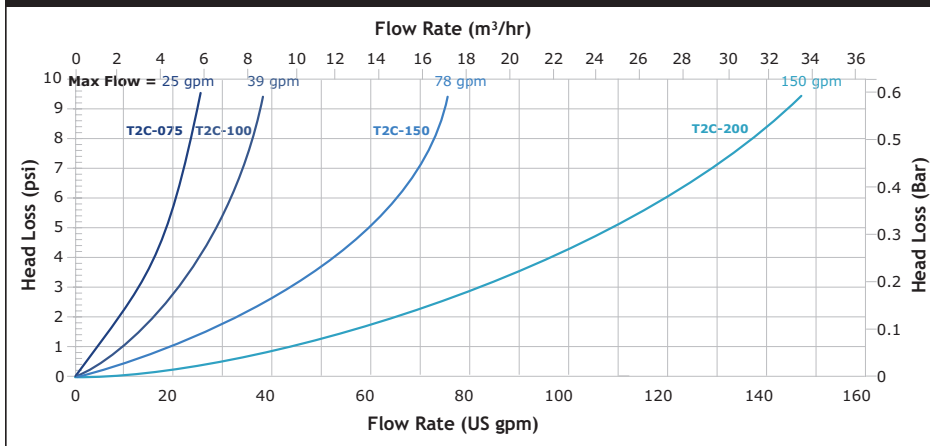
Body: Glass-filled Polypropylene

Clear Body: Acrylic

Seals: EPDM; Flush Port O-ring is Viton

SunShield: Neoprene

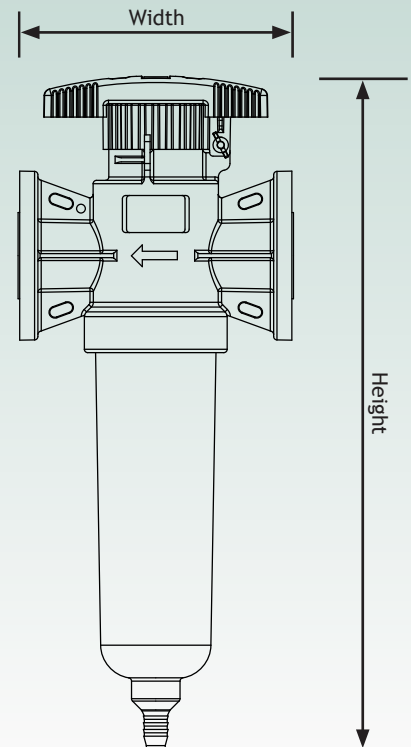
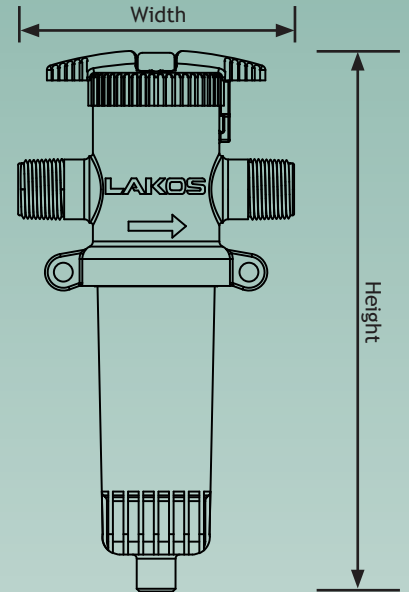
Flow vs. Pressure Loss – Clean Water Conditions



Dimensions

Model	Height		Width		Weight		Weight with Water	
	in	mm	in	mm	lbs	kg	lbs	kg
T2C-075	11-7/8	301	6	152	2	.91	3	1.36
T2C-100	11-7/8	301	6	152	2	.91	3	1.36
T2C-150	15-1/4	387	7-1/2	191	6	2.72	9	4.08
T2C-200	24-15/16	634	10.22	260	11	4.99	19	8.62

Drawings



Other LAKOS Filtration Solutions:

LAKOS Sand Separators



Centrifugal-action performance for the removal of sand and settleable particle matter.

LAKOS Pump Protection Sand Separators



Extends the life of submersible and turbine pumps by installing downhole to keep troublesome, abrasive sand from damaging pump impellers, bearings and bowls.

LAKOS Sand Media Filters



Protects drip and micro-spray irrigation systems from suspended particle matter and organics.

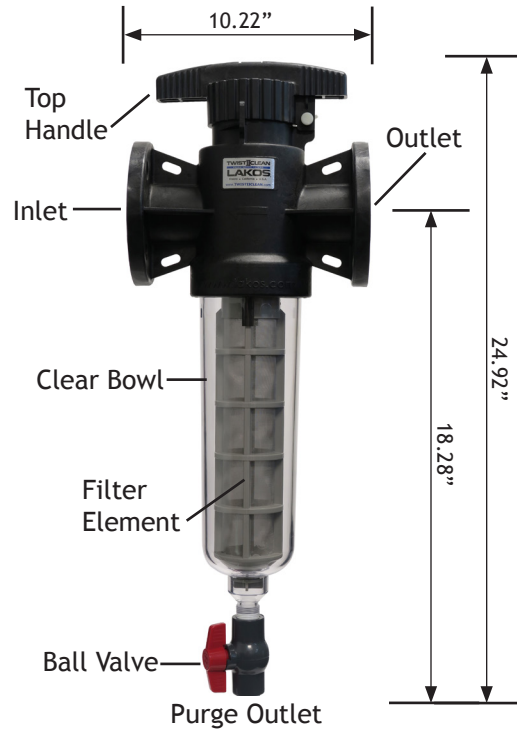
LAKOS Self-Cleaning Pump Intake Screens



Continuous rotation and cleaning process

keeps pump intakes free of debris and damage when drawing water from surface water sources, such as lakes, canals, ponds and reservoirs.

TwistII Clean High Flow



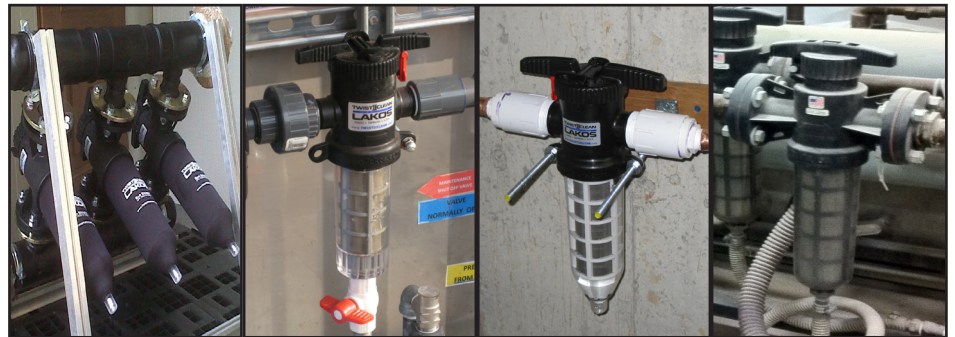
For flow levels up to 150 US gpm, the T2C-HF-200 is designed for rugged industrial uses. Perfect for heavy duty applications that require a easy to clean screen filter. Included ball valve ensures a leak-free purge.

Maximum Working Pressure:
100 psi (6.9 bar)

Maximum Temperature:
120° F (49° C)

Flow Range:
Up to 150 U.S. gpm (34 m³/hr)

Inlet/Outlet:
2-inch flange connection compatible with ANSI, DIN, and JIS patterns.



Printed on recycled paper LS-904B (Rev. 7/16)